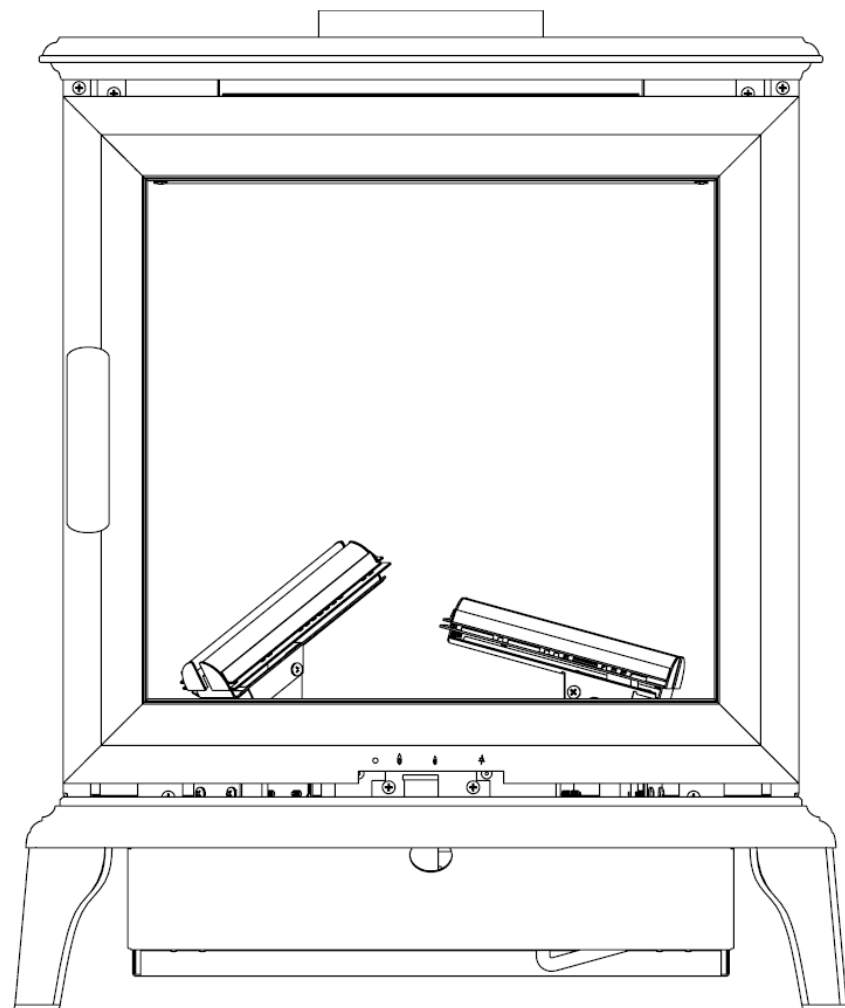


**WILDFIRE**  
SPREADING INNOVATION






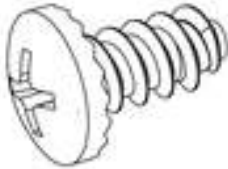


# **RAVEL STOVE GAS LOG FIRE REAR FLUE KIT**



**NOTE: REAR FLUE KIT IS AN OPTIONAL EXTRA PURCHASED SEPARATELY**

FULL INSTRUCTIONS FOR INSTALLATION OF THIS FLUE KIT IS INCLUDED  
 IN THE INSTALLATION INSTRUCTIONS OF THE APPLIANCE.

REAR FLUE KIT PACKAGE			
Item	Picture	Description	Qty
1		Rear Flue Kit	1
2		Top Trim Cover	1
3		Gasket	1
4		Rear Flue Plate	1
5		Inlet Tube Bracket	1
5		ST4*8 Selftapping Screw	11