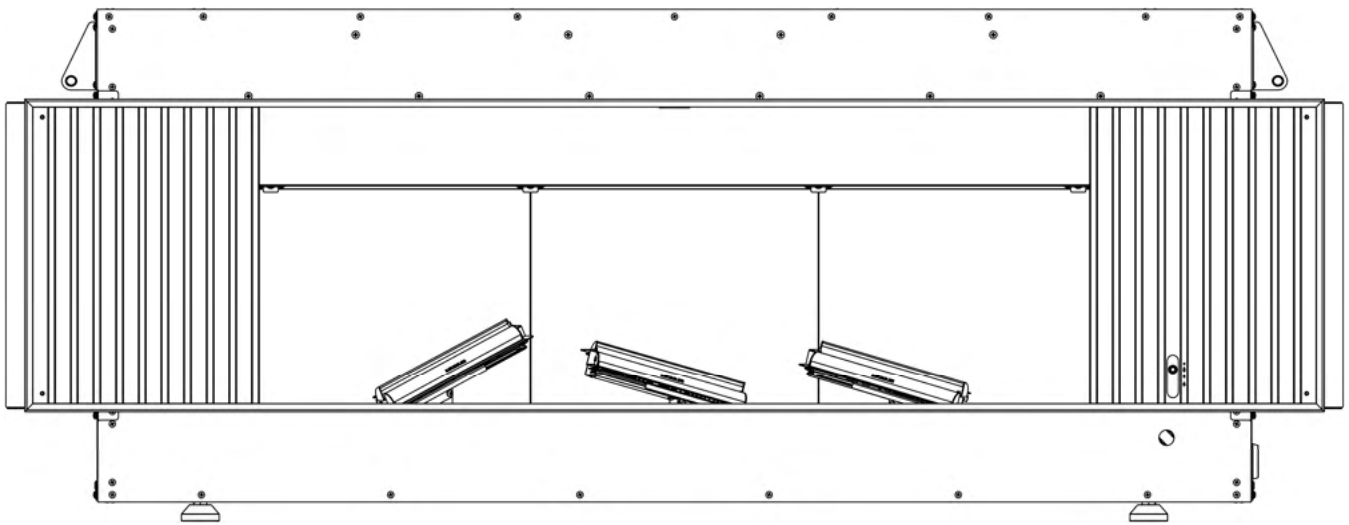




## CONVERT RAVEL 1500 TO 1720 MEDIA WALL BF



### INSTALLATION INSTRUCTIONS

This instruction manual provides details to convert the Ravel 1500 Media Wall Balanced Flue fire to the 1720 version.

The conversion kit includes 2 x convector extension boxes and 1720 trim/grill assembly.

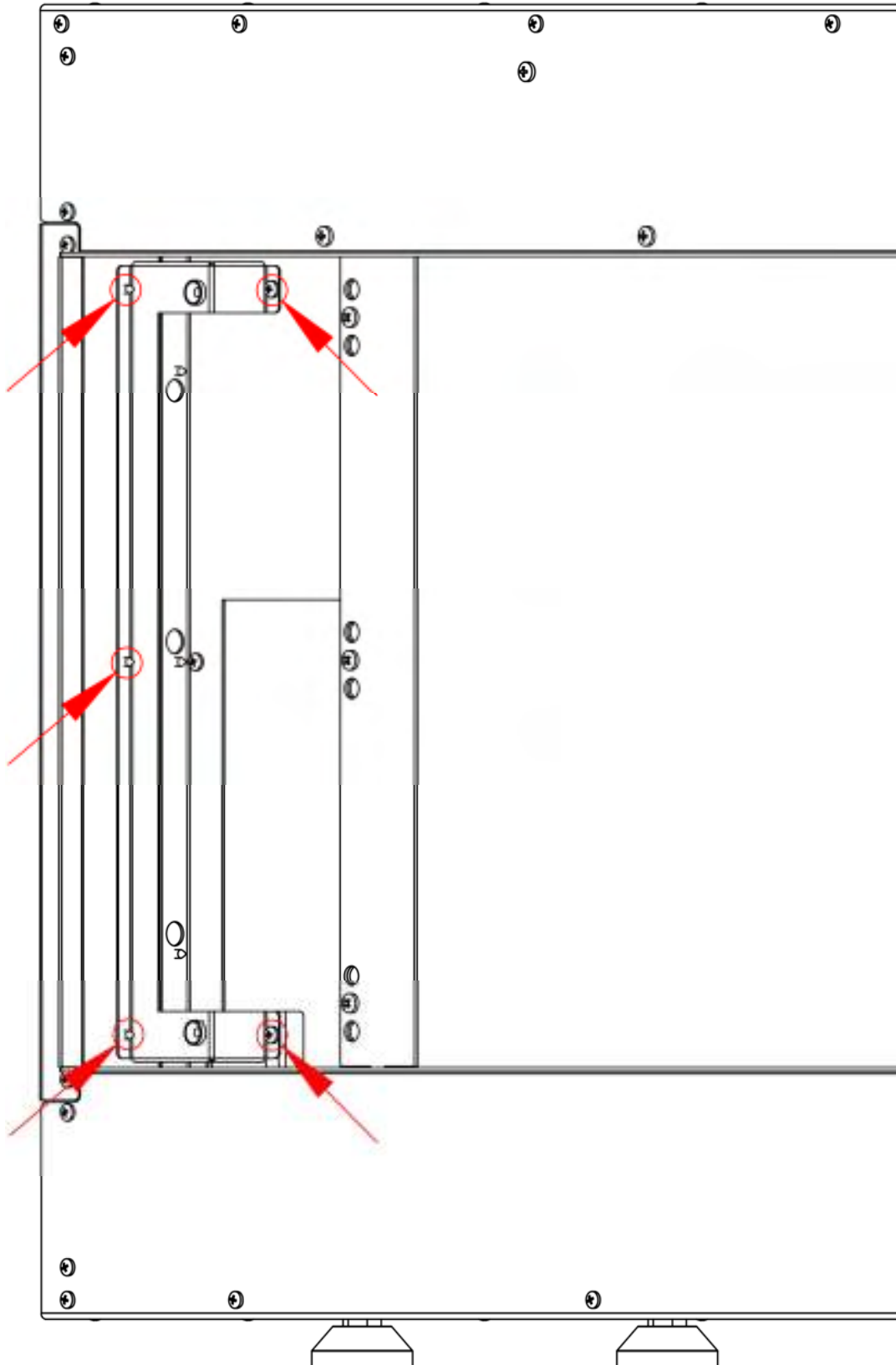


**THIS INSTRUCTION MANUAL MUST BE LEFT WITH THE CUSTOMER AFTER INSTALLATION**

To convert the 1500 Ravel media wall fire to the 1720 version, first remove the 1500 trim/grill assembly following the instructions supplied with the gas appliance.

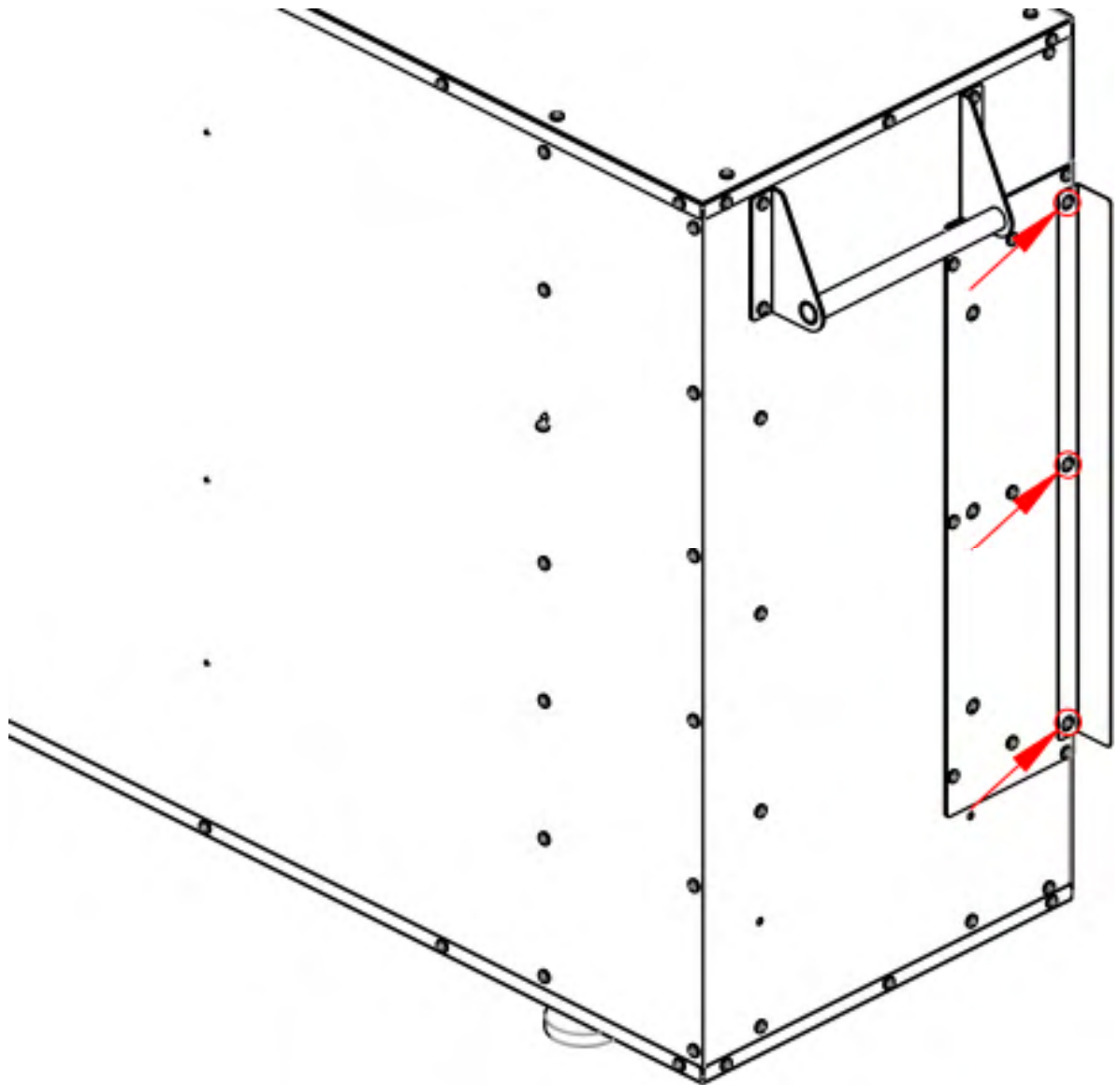
Now remove the two **trim retainers** by removing the five (5) screws from each side.

Retain these parts as they will be required later.



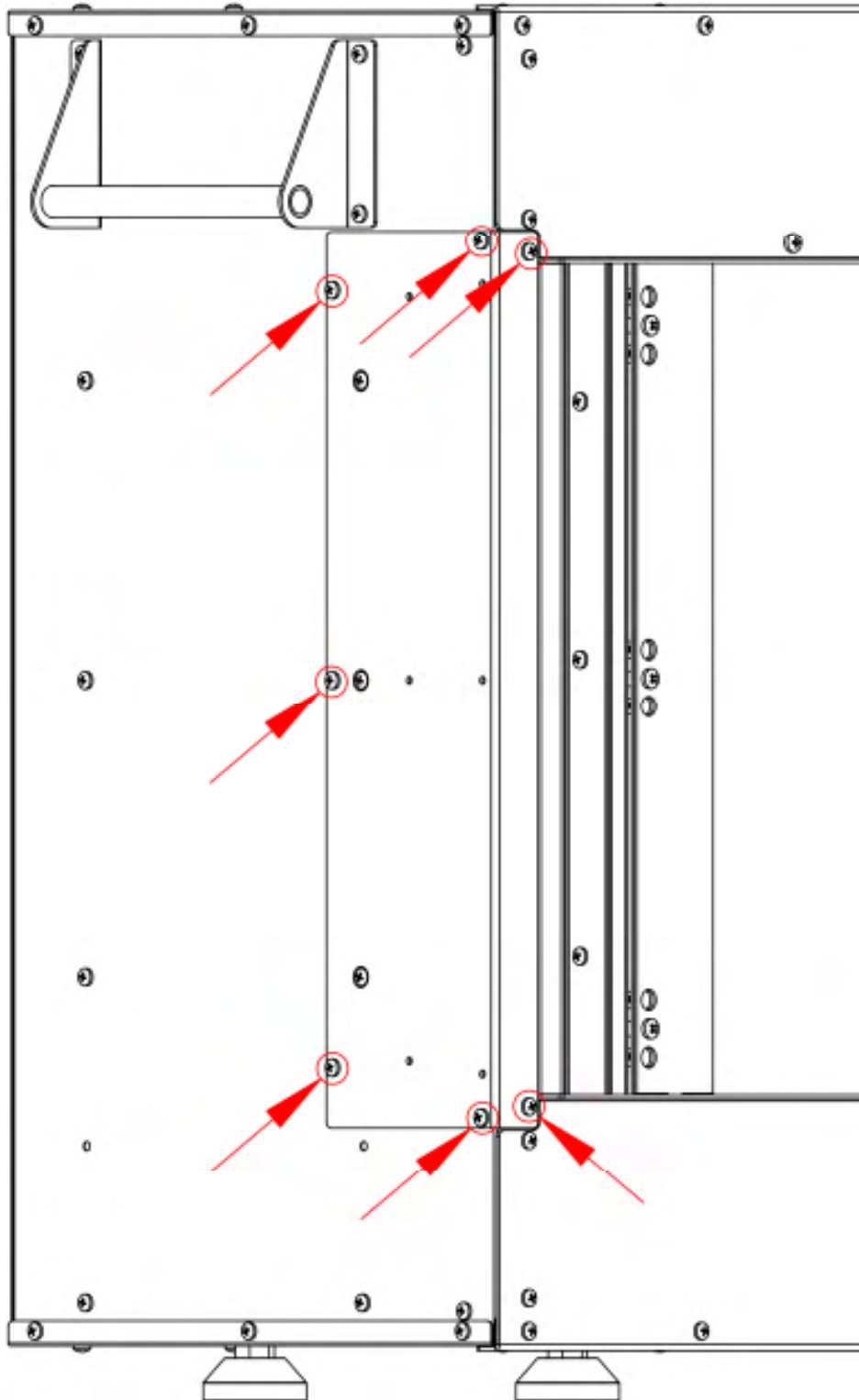
Remove the two side flanges, one from each side of the fire.

Retain the 6 screws and the flanges as they will be required later.



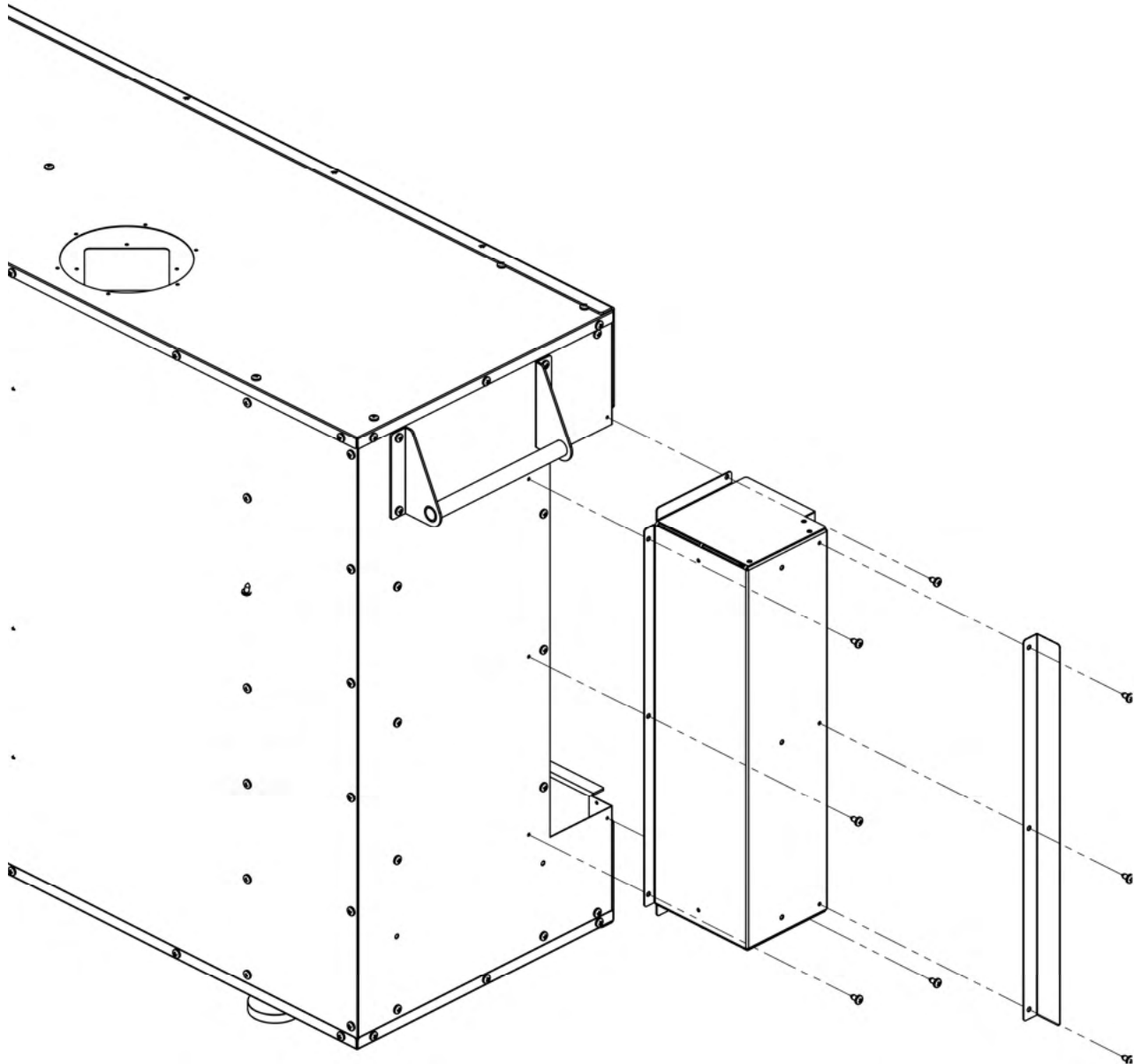
Now remove the two side covers by removing the seven (7) screws from each side.

The covers can be discarded but the screws MUST be retained for later use.

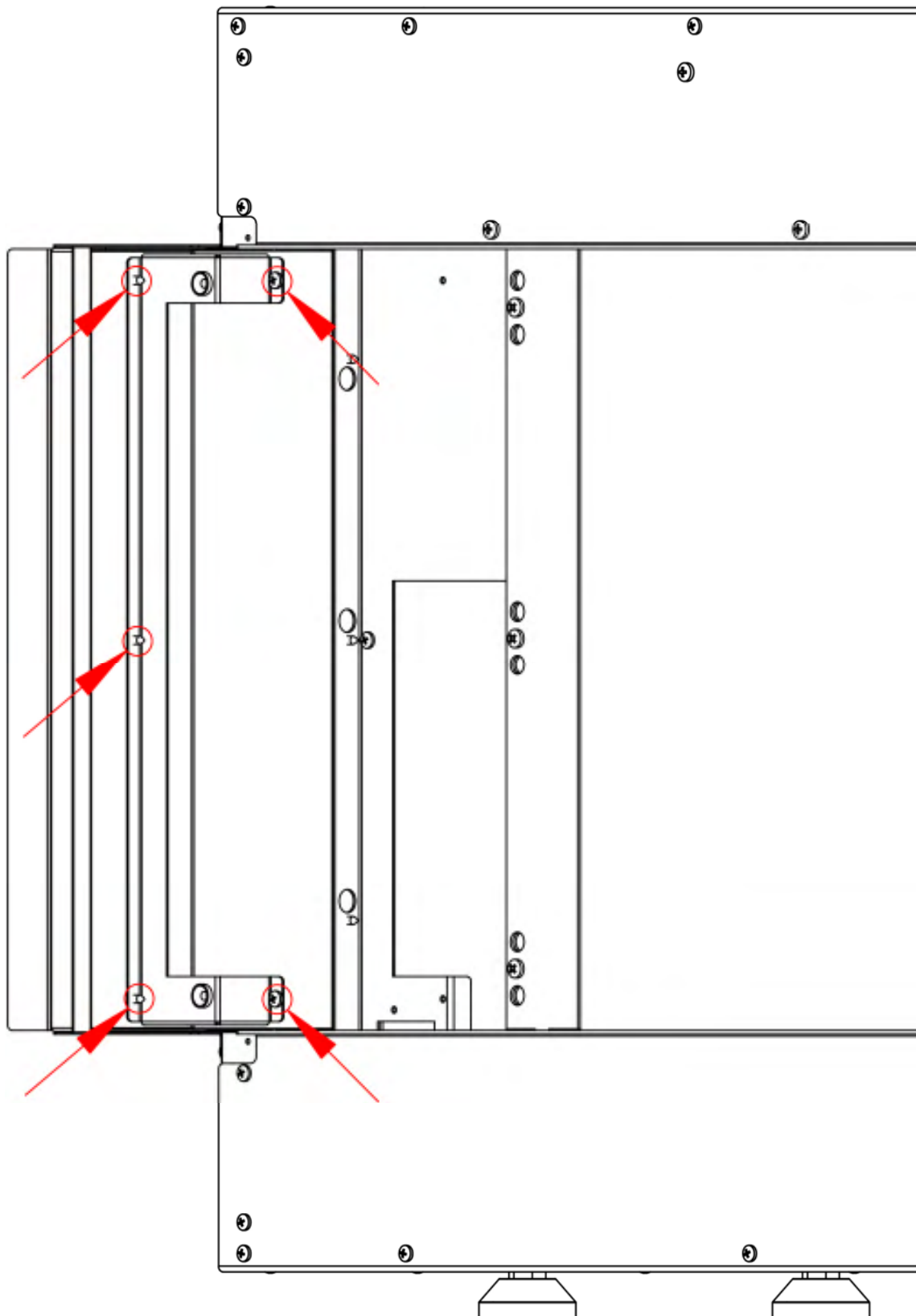


Next, fit the two convection air extension covers supplied in the 1720 Trim/Grill kit. These covers fit in the same location as the cover plates removed earlier.

Then attach the two side flanges removed earlier - as shown below.

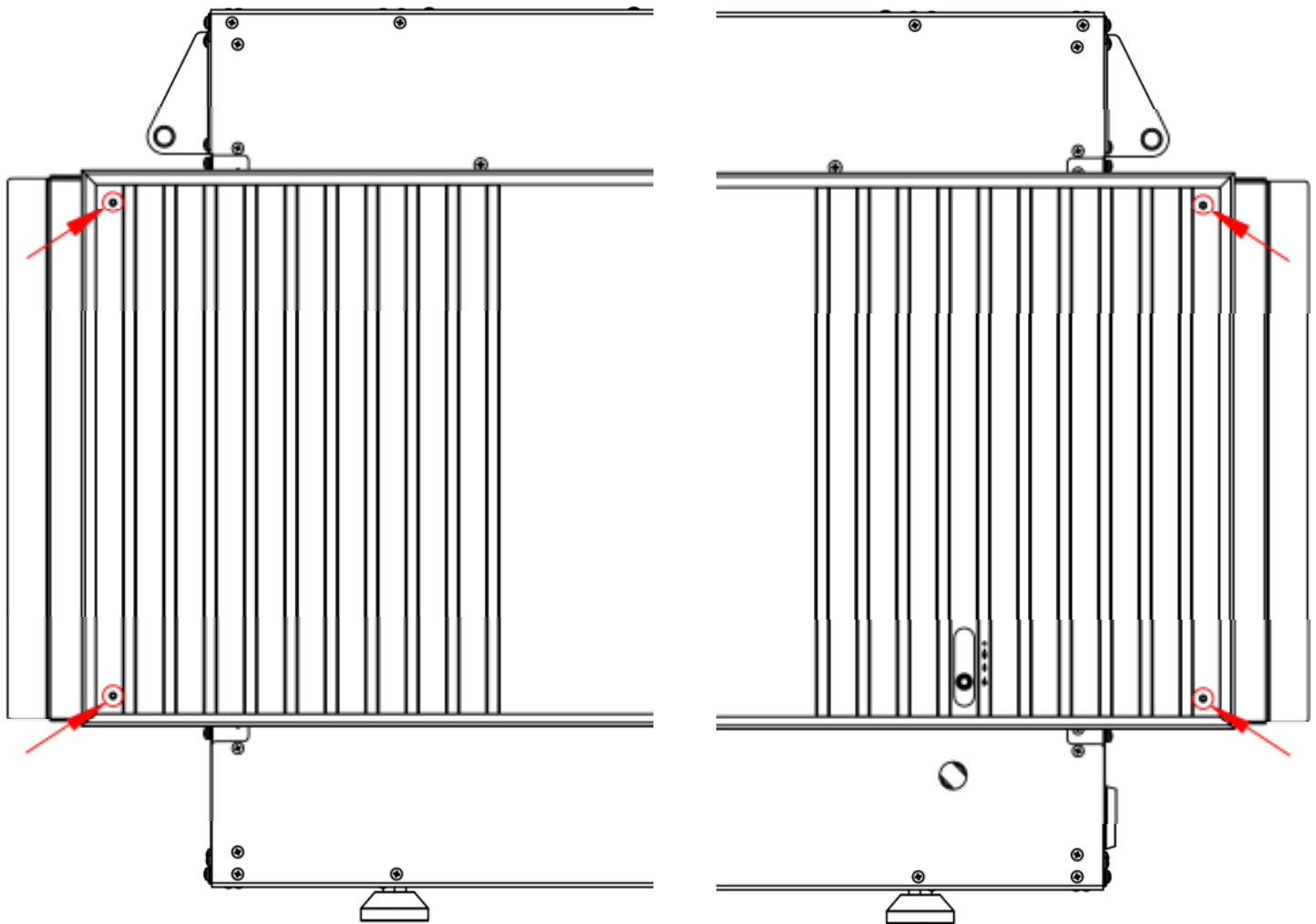


Next, fit the two trim retaining brackets which were removed earlier—these will now be at the new position to accept the wider 1720 Trim/Grill assembly.



Finally, once the appliance installation is complete, the 1720 Trim/Grill assembly can be fitted using the Allen key tool supplied.. Tighten the 4 corner self locating screws to secure the trim.

The serial number of the appliance is situated on the lower left side, behind the trim (see diagram below). Take a note of this serial number prior to installing the trim so the details can be recorded on page 3 of the appliance instruction manual.



Data plate location—record serial number prior to fitting the trim.

